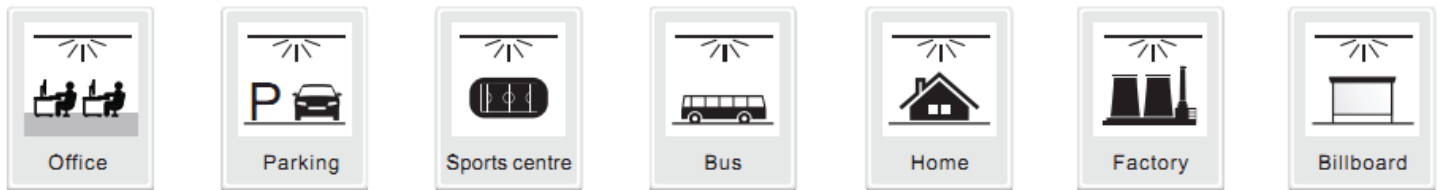
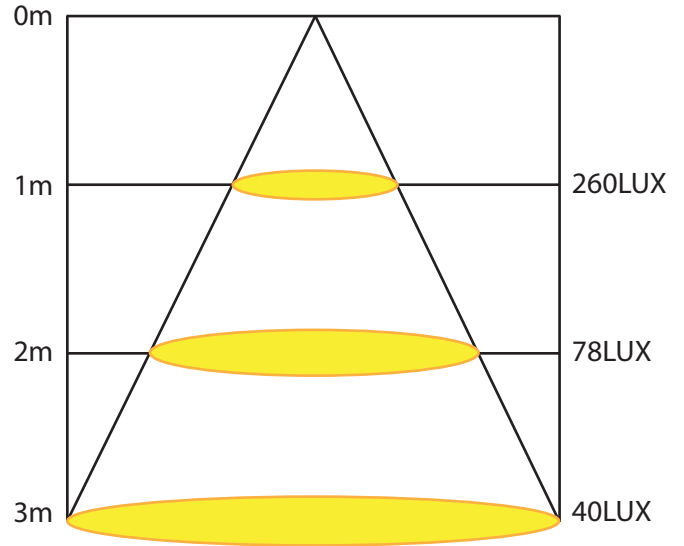
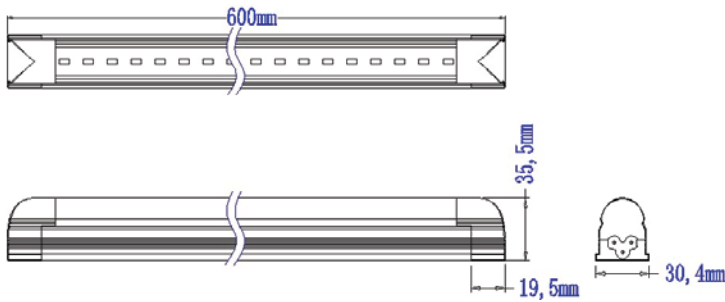


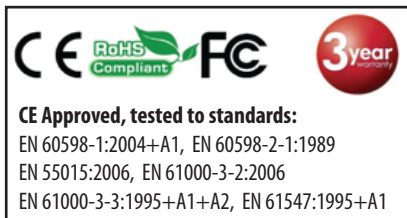
Qlamp LED Tube T8 10W

Q-T806A1



DESCRIPTION:

- LED chip: SMD5730 as LED light source.
- Power driver: isolated driver to keep security.
- Frosted PC cover: with over 93% light penetrate ratio.
- PCB: pure aluminium board ensure fast heat dissipation.
- Light effect: equally distributed LED chip, no dark areas, uniform luminance.



TECHNICAL SPECIFICATION

Model No.	Q-T806A1
Size	W31xH36xL600mm
Power	10W
CCT	3000K 6000K
Lumens Output	830lm 900lm
Voltage	AC85 - 260V
Light source	SMD5730
Power factor	>0.9
CRI	>73
Material	Aluminum
Life span	>40,000hrs
LED viewing angle	160° - 175°
LED Qty	30pcs
Dimmable	Optional

POWERSAVE SOLUTIONS LTD

HEAD OFFICE: Unit 7, The Sandon Estate, Sandon Way, Liverpool L5, 9YN

LONDON OFFICE: 152-154 Coles Green Road, NW2 7HD

e-mail: info@powersavesolutions.co.uk facebook.com/powersavesolutions www.powersavesolutions.co.uk