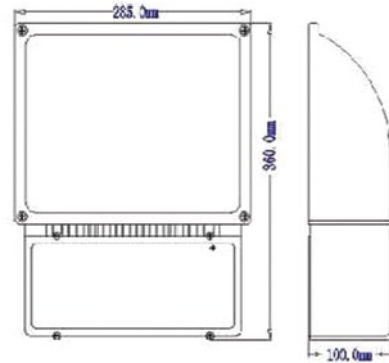


Qlamp LED Floodlight 70W

Q-FL07A1



DESCRIPTION:

COB LED chips packed by ourself.
Epistar 45mil COB chip as light source,
better heat disipatio.
Waterproof Grade: IP65 (anti-dirty, anti-water).
Exquisite workmanship, seamless connected.
Earth wire connected with Aluminum cover.
Energy saving, environment-friendly.

TECHNICAL SPECIFICATION

Model No.	Q-FL07A
Dimension	L285*W236*H150mm
Power	70W
Lumens Output	4350lm
Voltage	AC85-260V
CCT	2700-7500K
Power factor	0.9
CRI	>73
LED light source	COB (70W)
Material	Aluminum
Life span	>40,000hrs
Beam angle	90° -120°

CE Approved, tested to standards:
 EN 60598-1:2004+A1, EN 60598-2-1:1989
 EN 55015:2006, EN 61000-3-2:2006
 EN 61000-3-3:1995+A1+A2, EN 61547:1995+A1



POWERSAVE SOLUTIONS LTD

HEAD OFFICE: Unit 7, The Sandon Estate, Sandon Way, Liverpool L5, 9YN
LONDON OFFICE: 152-154 Coles Green Road, NW2 7HD

e-mail: info@powersavesolutions.co.uk [facebook.com/powersavesolutions](https://www.facebook.com/powersavesolutions) www.powersavesolutions.co.uk