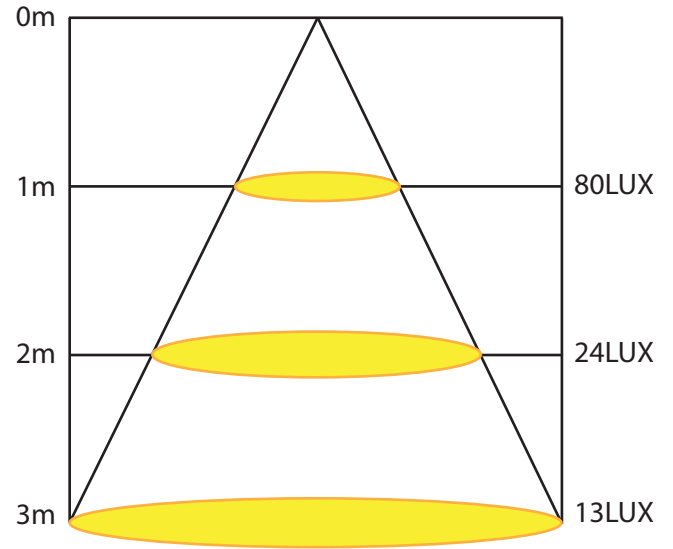
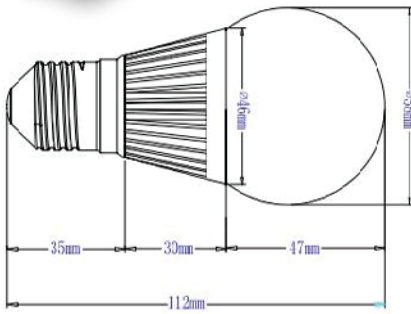


**Qlamp LED Bulb 6W**

Q-BD06E8



**DESCRIPTION:**

Light source: SMD 5630.

High efficiency.

Isolated driver: designed for safer use

PC cover: Japan Teijin brand to ensure its penetrating rate reaches 93%.

Special heat sink: cold forging aluminum (thermal resistance 226w/mk)

whose dissipation efficiency is much higher than die-casting aluminum's (64w/mk).

Energy saving, environment-friendly.

**TECHNICAL SPECIFICATION**

Model No.	Q-BD06E8
Dimension	φ58*112mm
Power	6W
Lumens Output	500lm 550lm
Voltage	AC85-260V
CCT	2700-7500K
Power factor	0.55
CRI	83
LED light source	SMD5630
Material	cold forging aluminum
Life span	>40,000hrs
Beam angle	270°
Lamp type	E27, B22
Dimmable	Optional



**CE Approved, tested to standards:**

EN 60598-1:2004+A1, EN 60598-2-1:1989

EN 55015:2006, EN 61000-3-2:2006

EN 61000-3-3:1995+A1+A2, EN 61547:1995+A1

