

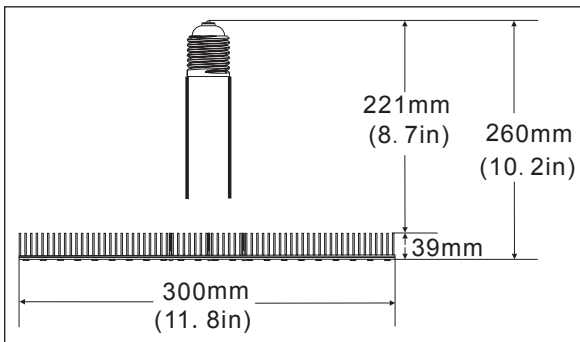
Qlamp LED High Bay Light 120W

Q-YPD-025



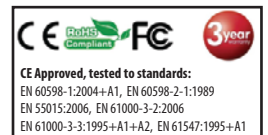
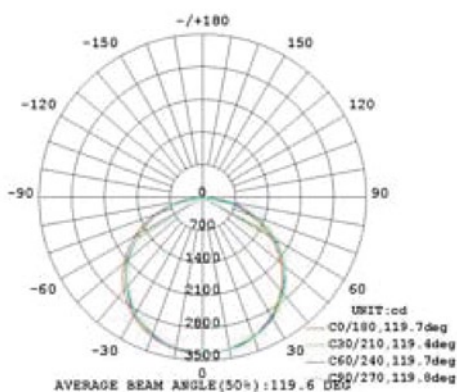
DESCRIPTION:

- It's major to replace the HPS/LPS with screwed base directly.
- Using aluminum fins heat sinks design, the cooling area reach, 8000cm², it's good for lamp heat dissipation and ensure LED's long lifetime.
- Green, energy saving, long and reliable life of 50,000 hours.
- No RF interference, No IR/UV radiation, no mercury pollution.
- Wide colour availability in degrees Kelvin(K), 2700-6700K.
- Streamline exterior design, beautiful appearance.
- Environment friendly, energy saving (70~80%).
- Special circuit design, each LED work separately, avoiding the single broken LED influence problem.



TECHNICAL SPECIFICATION	
Model No.	Q-YPD-025
Rated Power	125W
Input Voltage	100-277VAC, 50/60HZ
Power Supply Model	
Type I: 1pcs Meanwell Driver:	HLG-120-36
Type II: 2pcs Meanwell Driver:	PLN-60-36
PF	>0.95
Power Efficiency	>88%
Beam Angle	120°
LED Source/Court	340pcs 5630 SMD LED/ Chip Size: 23*45mil
Lamp Base	E40/ E39/ E27/ E26
LED Luminous Efficiency	>100lm/w
Luminous Flux	12000lm±10%
Color Temperature Standard	WW (2700~3500K) NW (4000~5000K) CW (5500~6700K)
Color Rendering Index (CRI)	Ra>70
LED Emitter Life	50,000hours
Replacement	HPS 350W
Applications	High bay and low bay fixture, factories, parking garages, custom applications, etc.
Operating Temperature	-40°C~45°C
The Dimensions	φ300*260mm
NW	0.88kg (without driver)/ 1.46kg (with 1pcs driver)

LUMINOUS INTENSITY DISTRIBUTION DIAGRAM



POWERSAVE SOLUTIONS LTD

HEAD OFFICE: Unit 7, The Sandon Estate, Sandon Way, Liverpool L5, 9YN

LONDON OFFICE: 152-154 Coles Green Road, NW2 7HD

e-mail: info@powersavesolutions.co.uk facebook.com/powersavesolutions www.powersavesolutions.co.uk