

Qlamp LED Floodlight 80W

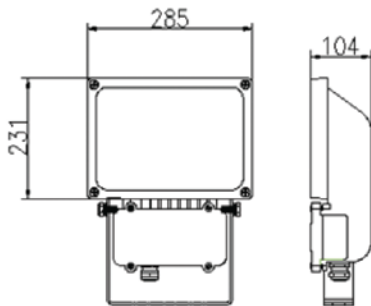
Q-FL08S1



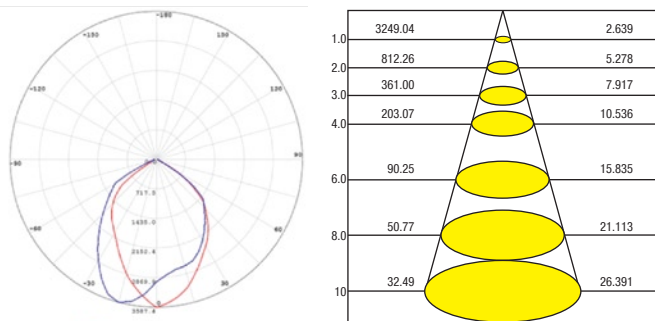
DESCRIPTION:

This model of LED Floodlight is used to replace Halogen and Metal Halide, widely traditional floodlight.

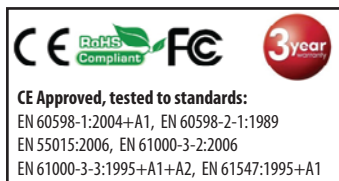
Energy saving, environment-friendly.



Product Dimensions



Light distribution curve



TECHNICAL SPECIFICATION		
Model No.	Q-FL08S1	
Input Voltage	AC 85~265V	
Frequency Range	50Hz~60Hz	
Total harmonic distortion	≤9%	
Power Factor	>0.9	
Power Efficiency	>87%	
LED Consumption	75W	
LED quantity	1pcs	
LED illuminous efficiency	80-100LM/W	
LED Working Voltage	DC 30~36V	
System Consumption	83W	
LED Luminous Flux	Warm White	6400 LM
	Pure White	7200 LM
	Cool White	7200 LM
Lamp's Efficiency	>85%	
Average Illuminance	Height 2M	743 LUX
	Height 4M	186 LUX
	Height 6M	83 LUX
Illuminance Area	Height 2M	3.8*3.8M
	Height 4M	7.6*7.6M
	Height 6M	11.4*11.4M
Illuminance Uniformity	>0.6	
Color Temperature	Warm White	2700K~3500K
	Pure White	4000K~5500K
	Cool White	6000K~7000K
Color Rendering Index	Warm White	Ra > 68
	PW, CW	Ra > 75
Light Distribution	Symmetric/Round spot	
Light Design	LED+Light reflectors	
LED Junction Temperature	≤80°C	
Working Temperature	-40°C~55°C	
Storage Temperature	-25°C~65°C	
IP Grade	IP65	
Working Life-span	50,000hrs	
Power Line	0.75 mm ² three-core wire	
Connect Wire	Brown	L
	Blue	N
	Yellow / Green	G
The color of the lamp shell	Gray	
Certificate	CE & RoHS	
Net Weight	5.12 kg	
GW	5.78 kg	
Package Size	435*345*165	