

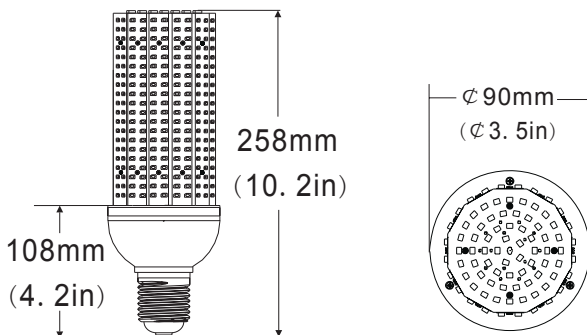


Qlamp 360° LED Corn Lamp 150W

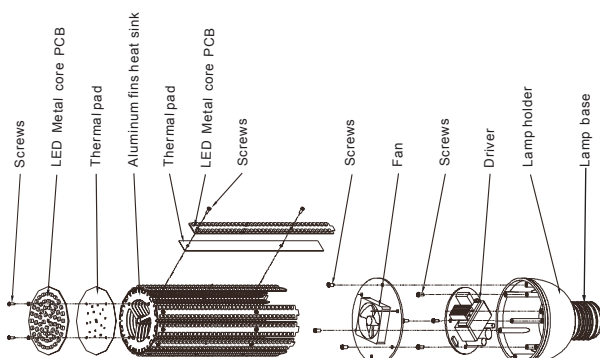
Q-HJD-060

DESCRIPTION:

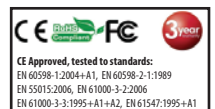
- Beam angle: 360 degrees.
- Aluminum fins heatsin and active air exchanging cooling system in order to speed up heat dissipation.
- It's major to replace the CFL with screwed lamp base directly.
- Green, energy saving, long and reliable life of 50,000 hours.
- No RF interference, No IR/UV radiation, no mercury pollution.
- Wide colour availability in degrees Kelvin(K), 2700-6700K.
- Streamline exterior design, beautiful appearance.
- Environment friendly, energy saving (70~80%).
- Special circuit design, each LED work separately, avoiding the single broken LED influence problem.
- Applications: Indoor lighting, houses, offices, hotels, custom applications, etc...



E40



TECHNICAL SPECIFICATION	
Model No.	Q-HJD-060
Rated Power	150W
Input Voltage	100-277VAC / 50-60Hz
Power Supply	MeanWell Brand : HLG-150H-36A
PF	>0.95
Power Efficiency	>88%
Color Temperature Standard	WW (2700~3500K)
	NW (4000~5000K)
	CW (5500~6700K)
Beam Angle	360°
Light Source/Count	1180pcs 2835 SMD LED / Epistar Chip 10*30mil
Lamp Base	E40 / E39 / E27 / E26
LED Luminous Efficiency	>110lm/w
Luminous Flux	18000 lm±10%
Color Rendering Index(CRI)	RA>80
LED Emitter Life	50,000hours
Replacement	CFL 450W
Operating Temperature	-40~45°C
The Dimensions	φ128 * 315mm
N.W	0.72kg
Packing	1pc/Box, 12pcs/Carton
Packing Size (L*W*H)	16*16*32 cm/ 66*49*34 cm



POWERSAVE SOLUTIONS LTD

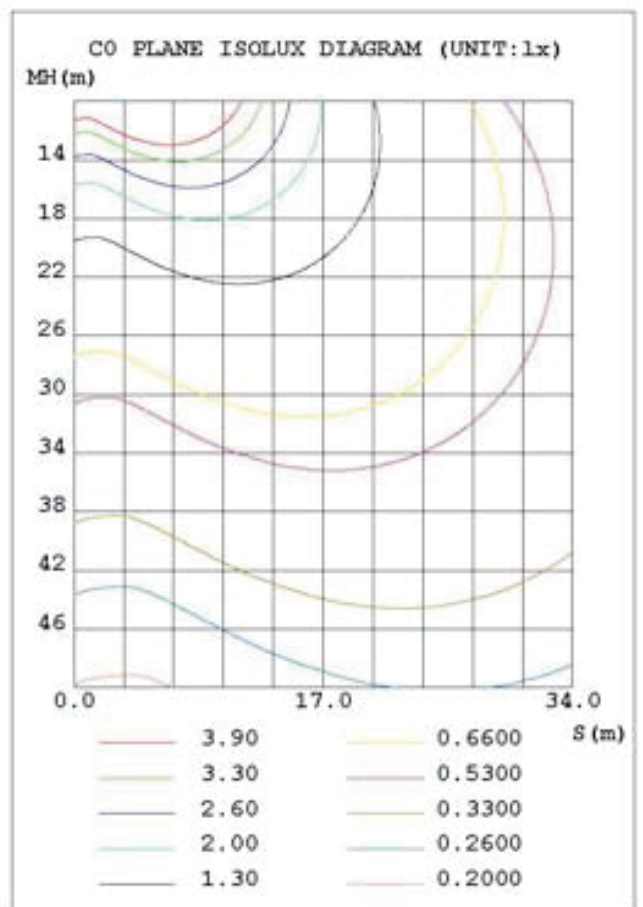
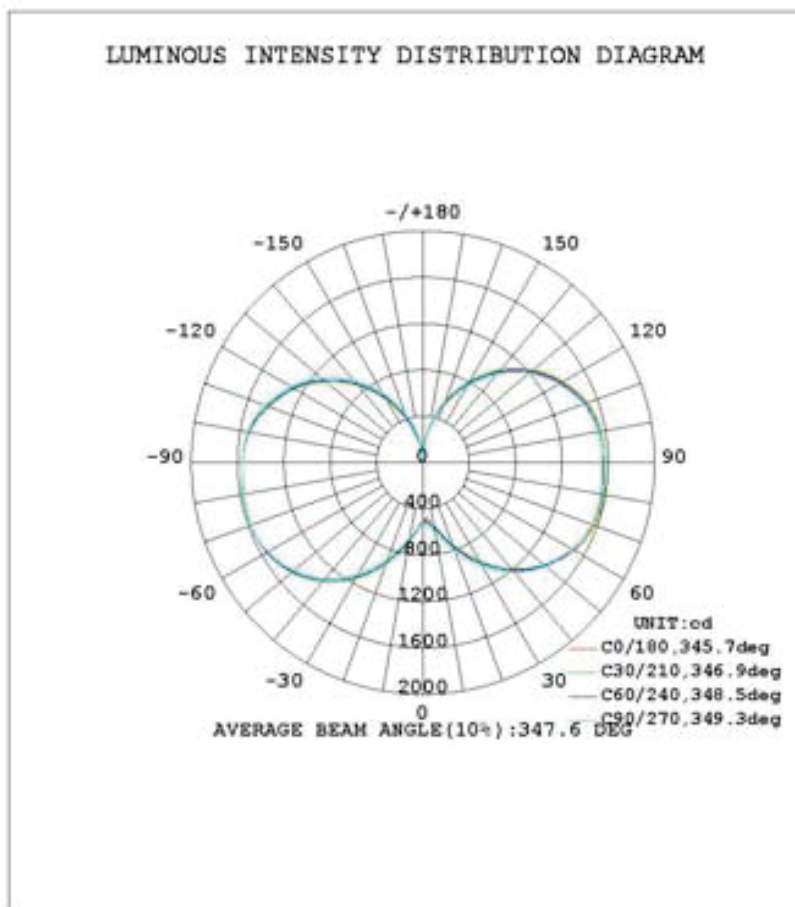
HEAD OFFICE: Unit 7, The Sandon Estate, Sandon Way, Liverpool L5, 9YN

LONDON OFFICE: 152-154 Coles Green Road, NW2 7HD

e-mail: info@powersavesolutions.co.uk facebook.com/powersavesolutions www.powersavesolutions.co.uk

LUMINAIRE PHOTOMETRIC TEST REPORT

DATA OF LAMP		PHOTOMETRIC DATA			
MODEL		Imax (cd)	1590	S/MH(C0/180)	2.96
NOMINAL POWER(W)	142	LOR(%)	100.0	S/MH(C90/270)	2.86
RATED VOLTAGE(V)	232	TOTAL FLUX(lm)	17269	η UP, DN(C0-180)	23.7, 26.4
NOMINAL FLUX(lm)	17269	CIE CLASS	DIFFUSE	η UP, DN(C180-360)	22.7, 27.2
LAMPS INSIDE	1	η up(%)	46.4	CIBSE SHR NOM	2.00
TEST VOLTAGE(V)	231.1	η down(%)	53.6	CIBSE SHR MAX	0.00



With 90 degrees Lampshade

With 120 degrees Lampshade

