

## Qlamp Corn Lamp 120W With external driver

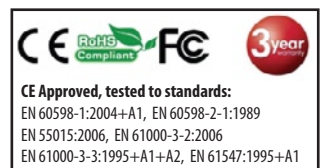
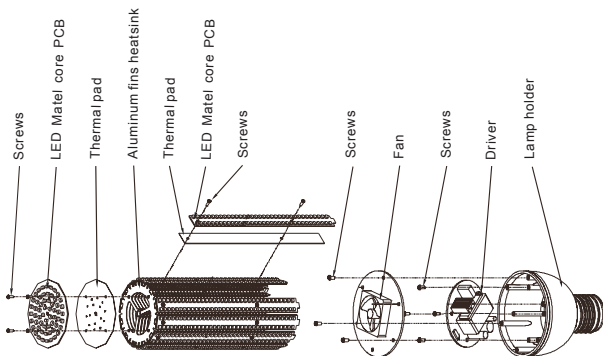
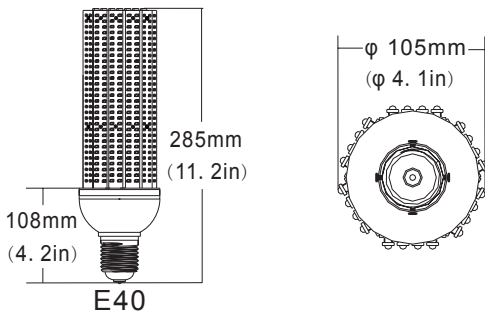
Q-LC120



### DESCRIPTION:

- Beam angle: 360 degrees
- Aluminum fins heatsin and active air exchanging cooling system in order to speed up heat dissipation
- It's major to replace the CFL with screwed lamp base directly
- Green, energy saving, long and reliable life of 50,000 hours
- No RF interference, No IR/UV radiation, no mercury pollution
- Wide colour availability in degrees Kelvin(K), 2700-6700K
- Streamline exterior design, beautiful appearance
- Environment friendly, energy saving (70~80%)
- Special circuit design, each LED work separately, avoiding the single broken LED influence problem
- Applications: Indoor using; gardens, factories, offices, hospitals, hotels, etc...

TECHNICAL SPECIFICATION	
Model No.	Q-LC120
Rated Voltage	85-300V AC, 50/60HZ
Light Source	1200PCS 2835 LED
Luminous Flux	14000LM
Rated Wattage	123W
Lamp Base	E40 E39 E27 E26
Beam Angle	360°
Size	φ105*285mm



### POWERSAVE SOLUTIONS LTD

HEAD OFFICE: Unit 7, The Sandon Estate, Sandon Way, Liverpool L5, 9YN

LONDON OFFICE: 152-154 Coles Green Road, NW2 7HD

e-mail: [info@powersavesolutions.co.uk](mailto:info@powersavesolutions.co.uk) [facebook.com/powersavesolutions](https://www.facebook.com/powersavesolutions) [www.powersavesolutions.co.uk](http://www.powersavesolutions.co.uk)