

Qlamp G9 LED lamp COB 5W

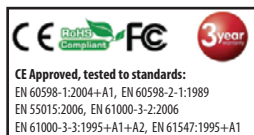
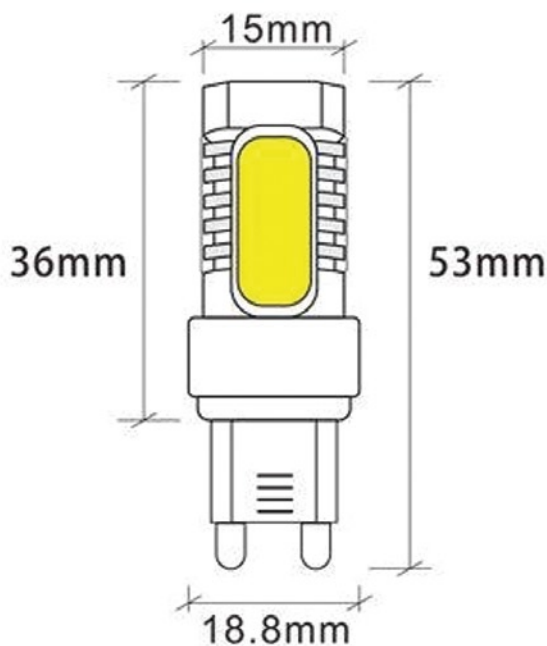
Q-LBG9N14



DESCRIPTION:

- COB LED Chips as the light source. It include the H53 contact pin.
- The lamp body is consist of Aluminum Alloy and the ceramic material.
- Both the two kinds of materil are good for heat radiator of the lamp body.
- In that way, the lamp works at the lower temperature for longer service lifetime.
- It's a reliable COB LED G9 light.
- Don't hesitate to contact us for further details about it.

TECHNICAL SPECIFICATION	
Model No.	Q-LBG9N14
Measured Power	3.2W
Actual Size	H36 X W18.8mm(Contains no pin)
Input voltage	95-265V
Luminous Flux	260-280lm
CRI (Ra)	70-75
Color Temperature	CW (6000~6500K)
	WW (3000~3500K)
Viewing Angle	360 degrees
Bead Number	0.5W 11PCS
Chip Brand	Taiwan Epistar
Shell Material	Aerometal outside & ceramics inside
Interface	G9
Life Span	30,000hours
Brightness equivalent	25-30W
Illumination Area	1W=1m ²
Net weight	15g
Packing	Color box, White box



POWERSAVE SOLUTIONS LTD

HEAD OFFICE: Unit 7, The Sandon Estate, Sandon Way, Liverpool L5, 9YN

LONDON OFFICE: 152-154 Coles Green Road, NW2 7HD

e-mail: info@powersavesolutions.co.uk facebook.com/powersavesolutions www.powersavesolutions.co.uk