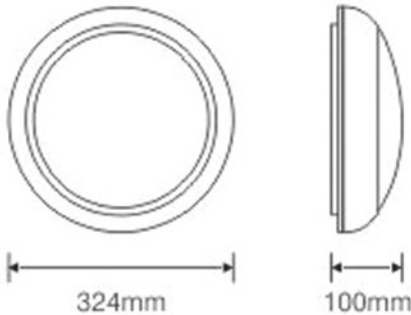


Qlamp LED Ceiling Light 16W

Q-CL3008L- 5630



DESCRIPTION:

Qlamp Retrofit 2D LED lamps are a perfect replacement for the traditional 2D CFL lamps and can be used for commercial applications where energy efficiency and long life usage is important. No UV emissions, run cool and have a working life of more than 30,000 hours. A 3 year warranty against premature failure is offered by Qlamp. Existing 2D luminaires may require modification to fit 2D LED Lamps.

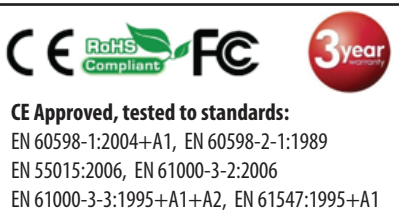
Light source: SMD5630 36pcs.

High efficiency.

Energy saving, environment-friendly.

TECHNICAL SPECIFICATION

Model No.	Q-CL3008L- 5630
Dimension	φ324*100mm
Power	16W
Power source	220-240V/AC
Power frequency	50Hz
CCT	6400K
Lumens Output	1360lm
Detection angle	360°
Voltage	230V
LED type	SMD5630, 36pcs
Housing Material	ABS body and PC diffuser
IP Rating	IP54



POWERSAVE SOLUTIONS LTD

HEAD OFFICE: Unit 7, The Sandon Estate, Sandon Way, Liverpool L5, 9YN

LONDON OFFICE: 152-154 Coles Green Road, NW2 7HD

e-mail: info@powersavesolutions.co.uk [facebook.com/powersavesolutions](https://www.facebook.com/powersavesolutions) www.powersavesolutions.co.uk