

Qlamp 360° LED Retrofit Fin Corn Lamp 90W

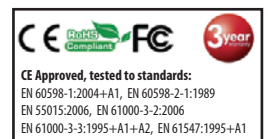
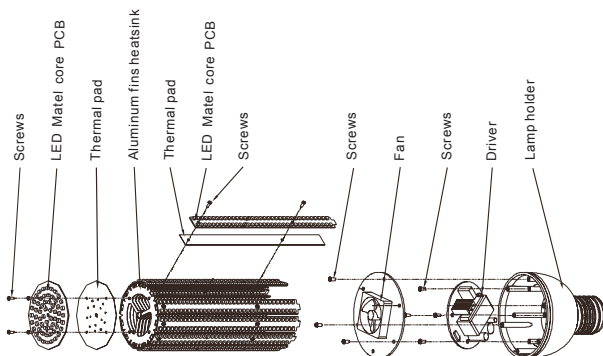
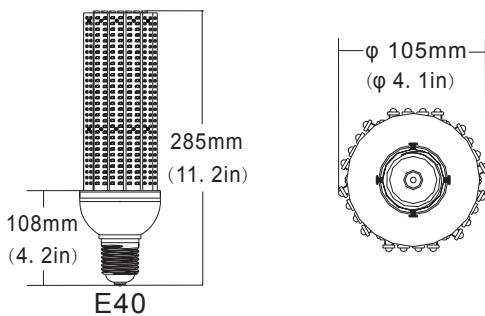
Q-HJD-007

DESCRIPTION:

- Beam angle: 360 degrees
- Aluminum fins heatsin and active air exchanging cooling system in order to speed up heat dissipation
- It's major to replace the CFL with screwed lamp base directly
- Green, energy saving, long and reliable life of 50,000 hours
- No RF interference, No IR/UV radiation, no mercury pollution
- Wide colour availability in degrees Kelvin(K), 2700-6700K
- Streamline exterior design, beautiful appearance
- Environment friendly, energy saving (70~80%)
- Special circuit design, each LED work separately, avoiding the single broken LED influence problem
- Applications: Indoor using; gardens, factories, offices, hospitals, hotels, etc...



TECHNICAL SPECIFICATION	
Model No.	Q-HJD-007
Beam Angle	360°
Light Source/Count	900pcs 2835 SMD LED
Lamp Base	E40 E39 E27 E26
LED Luminous Efficiency	>100lm/w
Luminous Flux	9500 lm ±5%
Color Temperature	WW (2700~3500K)
	NW (4000~5000K)
	CW (5500~6700K)
CRI (Ra)	Ra>70
LED Emitter Life	50,000hrs
Replacement	CFL 280W
Input Voltage	85-300VAC / 50-60Hz
PF	>0.95
Power Efficiency	>87%
Power Consumption (Bulb/LED)	90W
Power Supply	5W
Operating Temperature	-40~45°C
The Dimensions	φ105 * 285mm
N.W / G.W	650g /810g
Packing	1pc/Small Box, 12pcs/Carton
Packing Size (L*W*H)	12 * 12 * 32 / 66 * 40 * 29 cm



POWERSAVE SOLUTIONS LTD

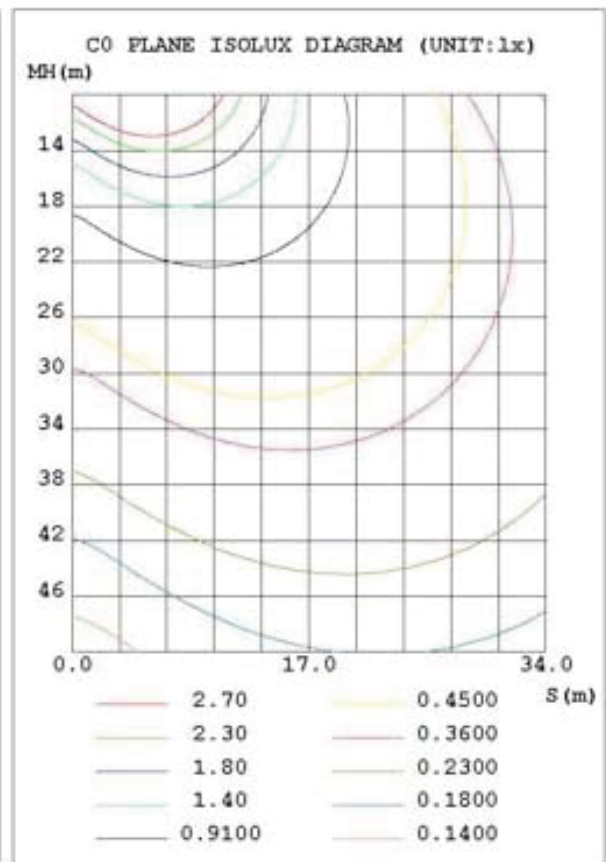
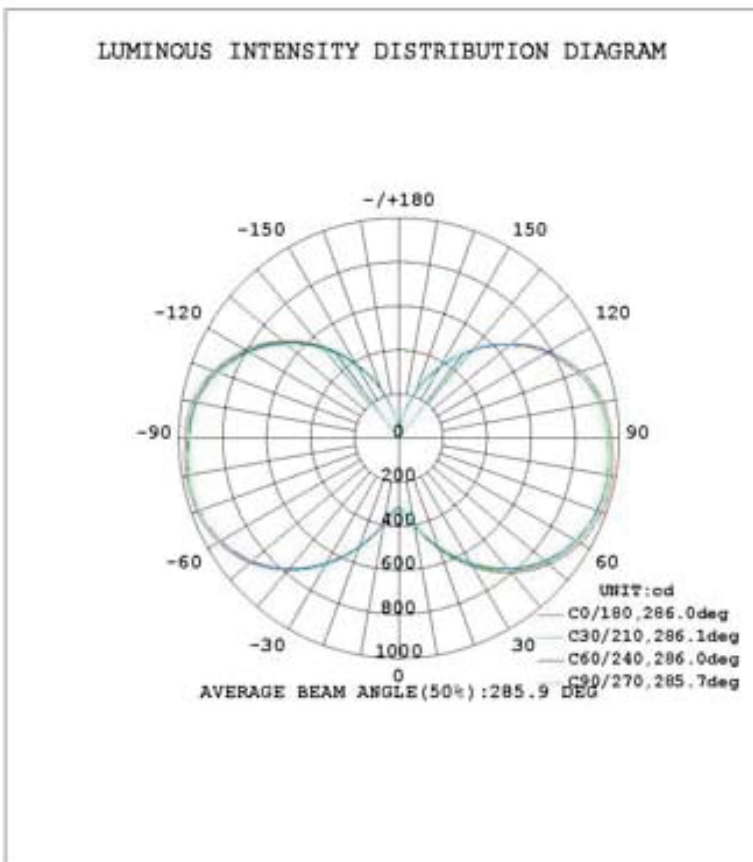
HEAD OFFICE: Unit 7, The Sandon Estate, Sandon Way, Liverpool L5, 9YN

LONDON OFFICE: 152-154 Coles Green Road, NW2 7HD

e-mail: info@powersavesolutions.co.uk facebook.com/powersavesolutions www.powersavesolutions.co.uk

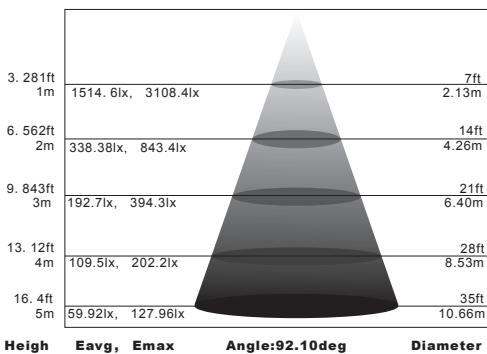
LUMINAIRE PHOTOMETRIC TEST REPORT

DATA OF LAMP		PHOTOMETRIC DATA				Eff: 117.92 lm/W
MODEL		I _{max} (cd)	985.9	S/MH (C0/180)		2.95
NOMINAL POWER (W)	84	LOR (%)	100.0	S/MH (C90/270)		2.91
RATED VOLTAGE (V)	230	TOTAL FLUX (lm)	9799.1	η UP, DN (C0-180)		22.4, 27.4
NOMINAL FLUX (lm)	9799.1	CIE CLASS	DIFFUSE	η UP, DN (C180-360)		22.8, 27.5
LAMPS INSIDE	1	η up (%)	45.2	CIBSE SHR NOM		2.00
TEST VOLTAGE (V)	230.7	η down (%)	54.8	CIBSE SHR MAX		0.00



AAI Figure

With 90 degrees Lampshade



With 120 degrees Lampshade

