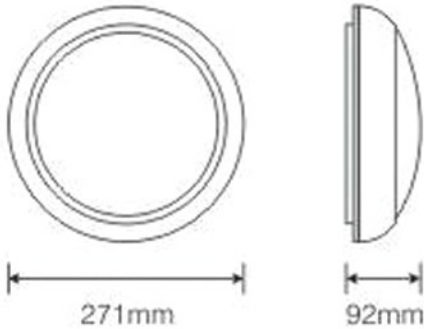


## Qlamp LED Ceiling Light 5W

Q-CL3008SL



### DESCRIPTION:

Qlamp Retrofit 2D LED lamps are a perfect replacement for the traditional 2D CFL lamps and can be used for commercial applications where energy efficiency and long life usage is important. No UV emissions, run cool and have a working life of more than 30,000 hours.

A 3 year warranty against premature failure is offered by Qlamp. Existing 2D luminaires may require modification to fit 2D LED Lamps.

Light source: SMD3014 104pcs.

High efficiency.

Energy saving, environment-friendly.

### TECHNICAL SPECIFICATION

Model No.	Q-CL3008SL
Dimension	φ271*92mm
Power	5W
CCT	6500K
Lumens Output	450lm
Voltage	220-240V/50Hz
LED light source	SMD LED 3014 64pcs
Housing Material	ABS body and PC diffuser
IP Rating	IP54



CE Approved, tested to standards:

EN 60598-1:2004+A1, EN 60598-2-1:1989

EN 55015:2006, EN 61000-3-2:2006

EN 61000-3-3:1995+A1+A2, EN 61547:1995+A1



### POWERSAVE SOLUTIONS LTD

HEAD OFFICE: Unit 7, The Sandon Estate, Sandon Way, Liverpool L5, 9YN

LONDON OFFICE: 152-154 Coles Green Road, NW2 7HD

e-mail: [info@powersavesolutions.co.uk](mailto:info@powersavesolutions.co.uk) [facebook.com/powersavesolutions](https://www.facebook.com/powersavesolutions) [www.powersavesolutions.co.uk](http://www.powersavesolutions.co.uk)