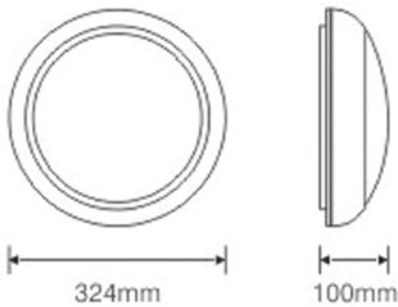


Qlamp LED Ceiling Light 12W

Q-CL3008L



DESCRIPTION:

Qlamp Retrofit 2D LED lamps are a perfect replacement for the traditional 2D CFL lamps and can be used for commercial applications where energy efficiency and long life usage is important. No UV emissions, run cool and have a working life of more than 30,000 hours. A 3 year warranty against premature failure is offered by Qlamp. Existing 2D luminaires may require modification to fit 2D LED Lamps.

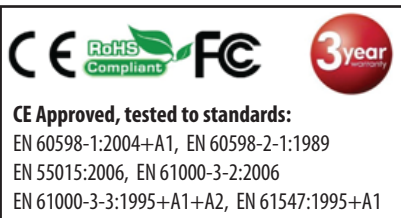
Light source: SMD3014 104pcs.

High efficiency.

Energy saving, environment-friendly.

TECHNICAL SPECIFICATION

Model No.	Q-CL3008L
Dimension	φ324*100mm
Power	12W
CCT	6500K
Lumens Output	1150lm
Voltage	230V
LED light source	SMD3014 104pcs
Housing Material	ABS body and PC cover
IP Rating	IP54



POWERSAVE SOLUTIONS LTD

HEAD OFFICE: Unit 7, The Sandon Estate, Sandon Way, Liverpool L5, 9YN

LONDON OFFICE: 152-154 Coles Green Road, NW2 7HD

e-mail: info@powersavesolutions.co.uk [facebook.com/powersavesolutions](https://www.facebook.com/powersavesolutions) www.powersavesolutions.co.uk