

Qlamp LED High Bay 150W Baylight

Q-BT-TH150W-B

DESCRIPTION:

150W corn bulb is designed to replace the 300W induction lamp, metal halid or HID lamp, the superior Nichia SMD solution and pure aluminum heat sink enables the lumen efficacy higher to 100LM/W with excellent thermal management in one-piece structure by cold-forging technology.

Features:

- Excellent thermal management.
- Nichia SMD LED technology.
- Narrow Beam Angle 60/90/120 degree.
- Meanwell HBG driver with 5 Years warranty.
- Low maintenance.

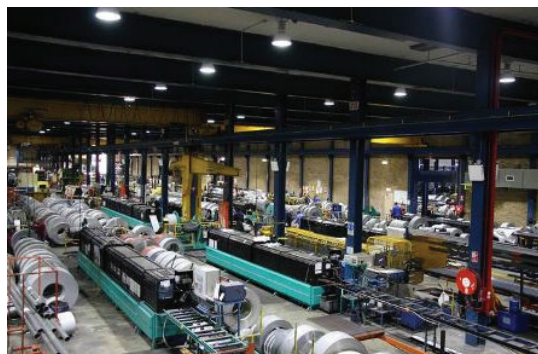
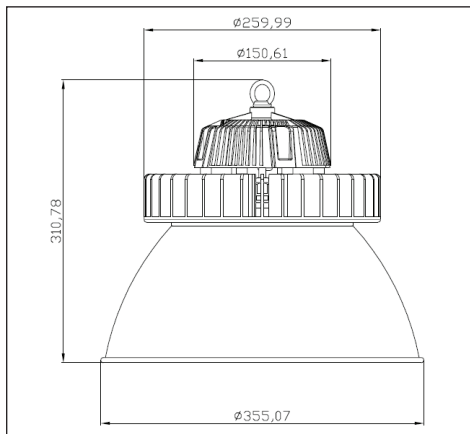
Heat Management:

- Cold-forging Pure Aluminum heat sink.
- Excellent heat management by conjoined structure.
- Sand-blasting and oxidation surface treatment.
- Thermal conductivity index: 226W/M - K.
- The temperature difference between the PN junction and surface is within 3°C.

Application:

Ideal for street light, factory lighting and bay light replacement.

DIMENSIONS:



TECHNICAL SPECIFICATION		
Model No.	Q-BT-TH150W-B	
Input Voltage	AC90-305V	
Power	150W	
Equivalent	300W	
Beam Angle	60°/90°/120°	
Lumen efficacy	100Lm/W	
Color Temperature	Warm white	2600~2800K
	Natural white	4000~4500K
	Cold white	5500~5800K
Luminosity	Warm white	13500lm
	Natural white	15000lm
	Cold white	15000lm
LED Quantity	168PCS, Nichia chip	
CRI (Ra)	>80	
PF	0.98	
IP Rating	IP65	
Lifespan	40,000Hr	
Recycle switch test	20,000 times	
Driver efficacy	90%	
LM-80 report	Tested	
Temperature Measurement:		
Heat sink temperature	98.6°C	
LED joint temperature	102.2°C	
Working temperature	-20~-50°C	
Base	N/A	
Warranty	5 Years	
Product Size	Ø355*310mm	
Interior box Size	360x360x320mm	
Exterior CTN Size	360x360x320mm	
QTY per CTN	1pcs	
Product Weight	5.4kg	
Weight./CTN	6kg	

