

Qlamp LED High Bay 100W Baylight

Q-BT-BL100W-B

DESCRIPTION:

100W corn bulb is designed to replace the 300W induction lamp, metal halid or HID lamp, the superior Nichia SMD solution and pure aluminum heat sink enables the lumen efficacy higher to 100LM/W with excellent thermal management in one-piece structure by cold-forging technology.

Features:

- Excellent thermal management.
- Nichia SMD LED technology.
- Narrow Beam Angle 60/90/120 degree.
- Meanwell driver.
- Low maintenance.

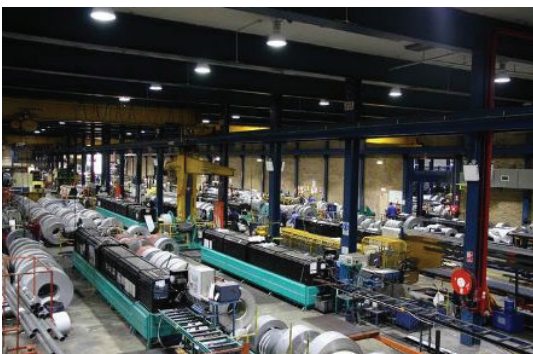
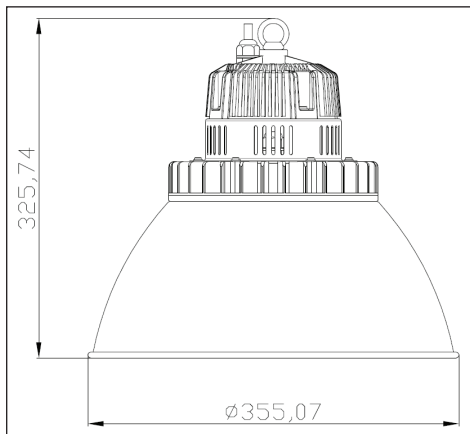
Heat Management:

- Cold-forging Pure Aluminum heat sink.
- Excellent heat management by conjoined structure.
- Sand-blasting and oxidation surface treatment.
- Thermal conductivity index: 226W/M - K.
- The temperature difference between the PN junction and surface is within 3°C.

Application:

Ideal for street light, factory lighting and bay light replacement.

DIMENSIONS:



TECHNICAL SPECIFICATION		
Model No.	Q-BT-BL100W-B	
Input Voltage	AC100-305V	
Power	100W	
Equivalent	300W	
Beam Angle	60°/90°/120°	
Lumen efficacy	100Lm/W	
Color Temperature	Warm white	2600~2800K
	Natural white	4000~4500K
	Cold white	5500~5800K
Luminosity	Warm white	9000lm
	Natural white	10000lm
	Cold white	10000lm
LED Quantity	98PCS, Nichia 3030 chip	
CRI (Ra)	>80	
PF	0.98	
IP Rating	IP65	
Lifespan	40,000Hr	
Recycle switch test	20,000 times	
Driver efficacy	90%	
LM-80 report	Tested	
Temperature Measurement:		
Heat sink temperature	98.6°C	
LED joint temperature	107.2°C	
Working temperature	-20~-50°C	
Storage temperature	-20~-60°C	
Base	N/A	
Warranty	5 Years	
Product Size	ø355*325mm	
Interior box Size	360x360x330mm	
Exterior CTN Size	360x360x330mm	
QTY per CTN	1pcs	
Product Weight	2.8kg	
Weight./CTN	3kg	

