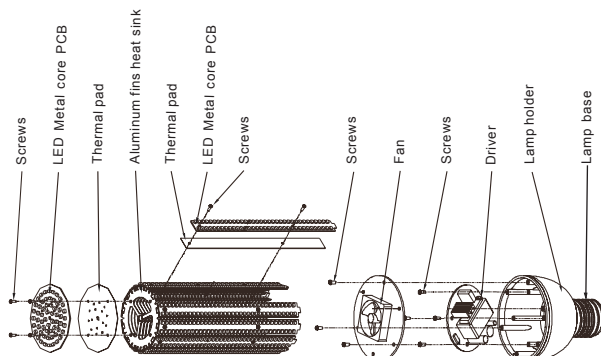
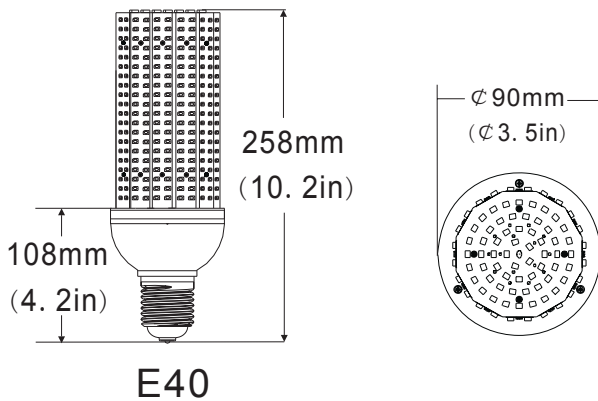


Qlamp 360° LED Corn Lamp 50W

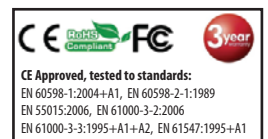
Q-HJD-004

DESCRIPTION:

- Beam angle: 360 degrees.
- Aluminum fins heat sinks and active air exchanging cooling system in order to speed up heat dissipation.
- It's major to replace the CFL with screwed lamp base directly.
- Green, energy saving, long and reliable life of 50,000 hours.
- No RF interference, No IR/UV radiation, no mercury pollution.
- Wide colour availability in degrees Kelvin(K), 2700-6700K.
- Streamline exterior design, beautiful appearance.
- Environment friendly, energy saving (70~80%).
- Special circuit design, each LED work separately, avoiding the single broken LED influence problem.
- Applications: Indoor lighting; houses, offices, hotels, customapplications, etc...



TECHNICAL SPECIFICATION	
Model No.	Q-HJD-004
Rated Power	53W
Input Voltage	100-277VAC / 50-60Hz
Certificate	ETL CE ROSH
PF	>0.95
Power Efficiency	>88%
Color Temperature	WW (2700~3500K)
	NW (4000~5000K)
	CW (5500~6700K)
Beam Angle	360°
Light Source/Count	480pcs 2835 SMD LED / Epistar Chip 10*30mil
Lamp Base	E40 / E39 / E27 / E26
LED Luminous Efficiency	>110lm/w
Luminous Flux	5900 lm±10%
Color Rendering Index(CRI)	RA>80
LED Emitter Life	50,000hours
Replacement	CFL 150W
Operating Temperature	-40~45°C
The Dimensions	φ90 * 258mm
N.W	0.52kg
Packing	1pc/Box, 12pcs/Carton
Packing Size (L*W*H)	12*12*32 cm/ 66*40*29 cm



POWERSAVE SOLUTIONS LTD

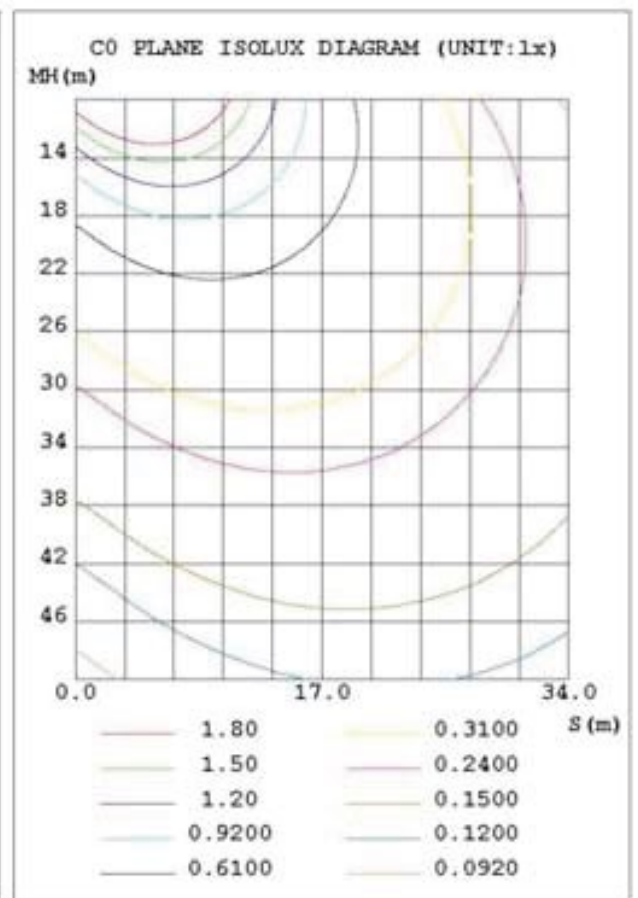
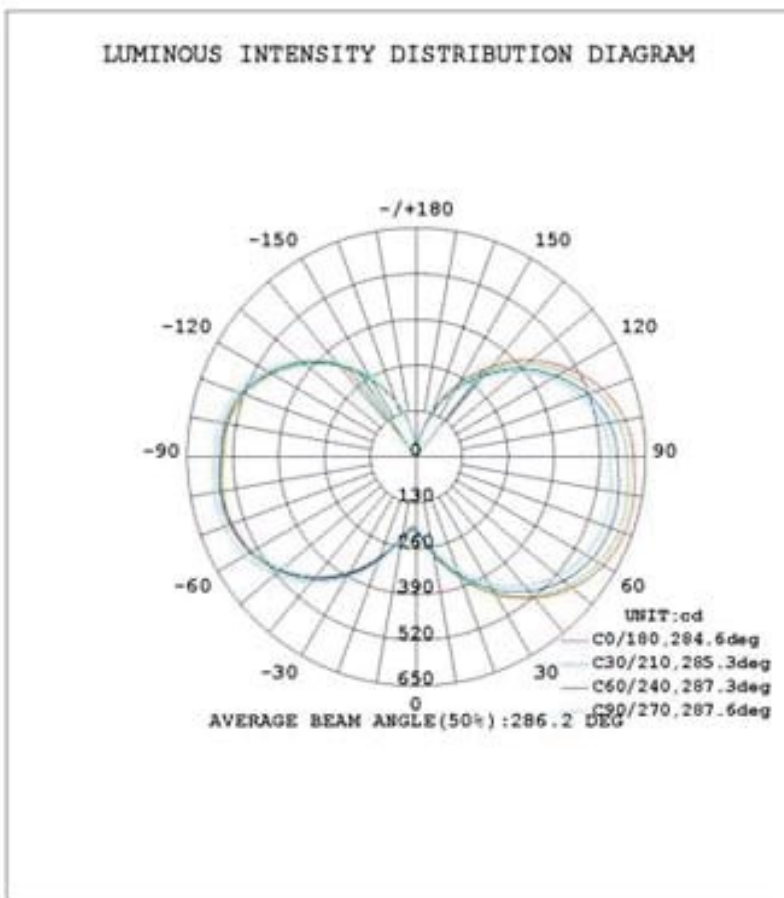
HEAD OFFICE: Unit 7, The Sandon Estate, Sandon Way, Liverpool L5, 9YN

LONDON OFFICE: 152-154 Coles Green Road, NW2 7HD

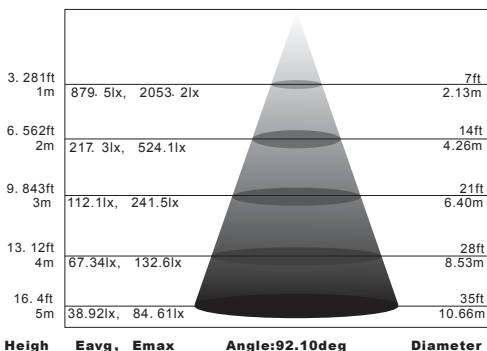
e-mail: info@powersavesolutions.co.uk facebook.com/powersavesolutions www.powersavesolutions.co.uk

LUMINAIRE PHOTOMETRIC TEST REPORT

DATA OF LAMP		PHOTOMETRIC DATA			
MODEL		Imax (cd)	630.0	S/MH (C0/180)	2.89
NOMINAL POWER (W)	54	LOR (%)	100.0	S/MH (C90/270)	2.82
RATED VOLTAGE (V)	230	TOTAL FLUX (lm)	5952.1	η UP, DN (C0-180)	22.1, 27.7
NOMINAL FLUX (lm)	5952.1	CIE CLASS	DIFFUSE	η UP, DN (C180-360)	23.2, 27.1
LAMPS INSIDE	1	η up (%)	45.2	CIBSE SHR NOM	2.00
TEST VOLTAGE (V)	229.9	η down (%)	54.8	CIBSE SHR MAX	0.00



With 90 degrees Lampshade



With 120 degrees Lampshade

