

## Qlamp LED Round Retrofit Kit 40W E40/E27

Q-SDD-011



### DESCRIPTION:

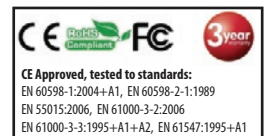
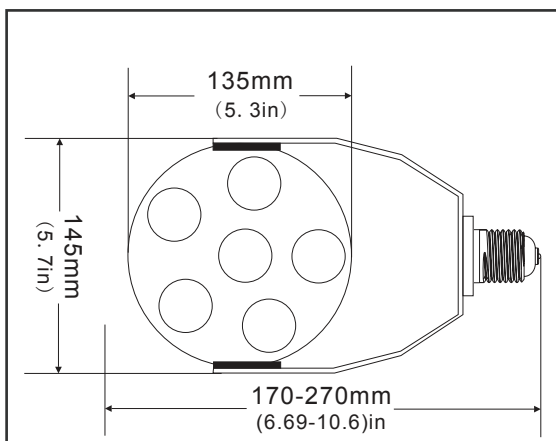
- Beam angle: 120 degrees.
- Aluminum fins heat sinks and active air exchanging cooling system in order to speed up heat dissipation.
- It's major to replace the HPS with screwed lamp base directly.
- No RF interference, No IR/UV radiation, no mercury pollution.
- Wide colour availability in degrees Kelvin(K) 2700-6700K.
- Green, energy saving, long and reliable life of 50,000 hours
- Environment friendly, energy saving (70~80%).
- Streamline exterior design, beautiful appearance.
- Special circuit design, each LED work separately, avoiding the single broken LED influence problem.



### TECHNICAL SPECIFICATION

Model No.	Q-SDD-011
Rated Power	40W
Input Voltage	100-277VAC / 50-60Hz
Certificate	ETL CE ROHS
PF	>0.95
Power Efficiency	>88%
Beam Angle	120°
Light Source/Count	28pcs Cree High Power LED
Lamp Base	E40 / E27
LED Luminous Efficiency	>100lm/w
Color Temperature Standard	WW (2700~3500K)
	NW (4000~5000K)
	CW (5500~6700K)
Luminous Flux	4000 lm ±10%
Color Rendering Index(CRI)	Ra>80
LED Emitter Life	50,000hours
Replacement	HPS 120W - 150W
Operating Temperature	-40°C~45°C
The Dimensions	200*145*70mm or 170*145*70mm
N.W	0.8kg
Packing	1pc/Box , 12pcs Carton
Applications	Indoor lighting: houses, offices, hotels, parking places, other custom applications, etc...

### DIMENSIONS:



**POWERSAVE SOLUTIONS LTD**

HEAD OFFICE: Unit 7, The Sandon Estate, Sandon Way, Liverpool L5, 9YN

LONDON OFFICE: 17 Highgate Hill, Hill House - 9th Floor, N19 5NA

e-mail: [info@powersavesolutions.co.uk](mailto:info@powersavesolutions.co.uk) facebook.com/powersavesolutions www.powersavesolutions.co.uk