



Qlamp LED Retrofit Kit 120W E40/E27

Q-SDD-005

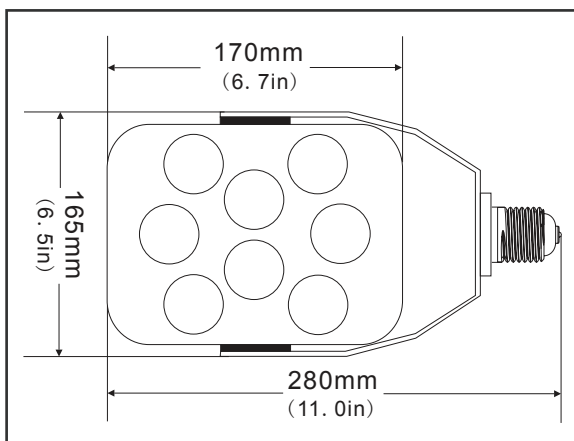
DESCRIPTION:

- Beam angle: 120 degrees.
- Aluminum fins heat sinks and active air exchanging cooling system in order to speed up heat dissipation.
- It's major to replace the HPS with screwed lamp base directly.
- No RF interference, No IR/UV radiation, no mercury pollution.
- Wide colour availability in degrees Kelvin(K) 2700-6700K.
- Green, energy saving, long and reliable life of 50,000 hours
- Environment friendly, energy saving (70~80%).
- Streamline exterior design, beautiful appearance.
- Special circuit design, each LED work separately, avoiding the single broken LED influence problem.

TECHNICAL SPECIFICATION

Model No.	Q-SDD-005
Rated Power	120W
Input Voltage	100-277VAC / 50-60Hz
Certificate	CE ROHS
PF	>0.95
Power Efficiency	>88%
Beam Angle	360°
Light Source/Count	56pcs Cree High Power LED
Lamp Base	E40 / E27
LED Luminous Efficiency	>100lm/w
Color Temperature Standard	WW (2700~3500K)
	NW (4000~5000K)
	CW (5500~6700K)
Luminous Flux	12000 lm ±10%
Color Rendering Index(CRI)	Ra>80
LED Emitter Life	50,000hours
Replacement	HPS 350W
Operating Temperature	-40°C~45°C
The Dimensions	280*165*65mm
N.W	0.8kg
Packing	1pc/Box , 12pcs Carton
Applications	Indoor lighting: houses, offices, hotels, custom applications, etc...

DIMENSIONS:



POWERSAVE SOLUTIONS LTD

HEAD OFFICE: Unit 7, The Sandon Estate, Sandon Way, Liverpool L5, 9YN

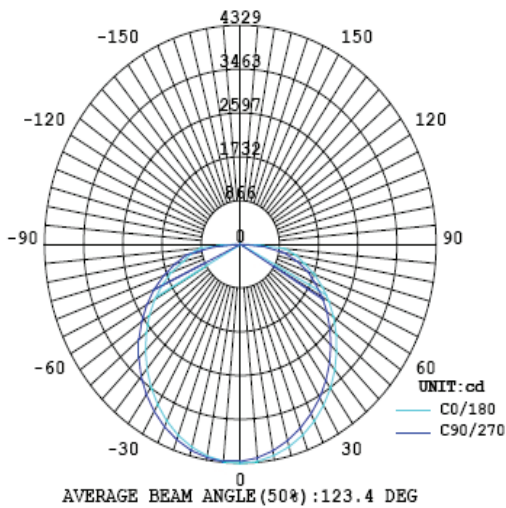
LONDON OFFICE: 17 Highgate Hill, Hill House - 9th Floor, N19 5NA

e-mail: info@powersavesolutions.co.uk facebook.com/powersavesolutions www.powersavesolutions.co.uk

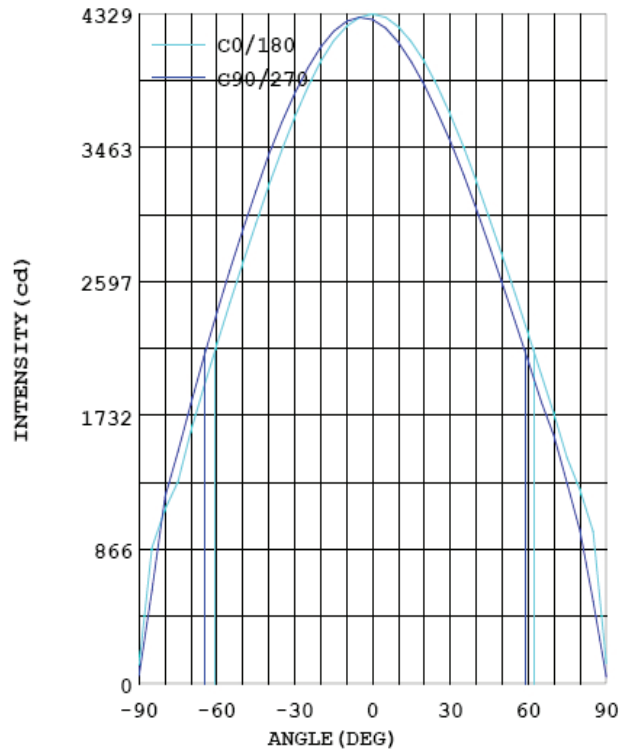
LUMINAIRE PHOTOMETRIC TEST REPORT

DATA OF LAMP		PHOTOMETRIC DATA			
MODEL		I _{max} (cd)	4329	S/MH (C0/180)	1.26
NOMINAL POWER(W)	120	EFFICIENCY (%)	100.0	S/MH (C90/270)	1.32
RATED VOLTAGE (V)	220	TOTAL FLUX (lm)	13504	Voltage (V)	219.5
NOMINAL FLUX (lm)	13504.0	EFFICIENCY (lm/W)	113.3	Current (A)	0.550
LAMPS QUANTITY	1	η up (%)	0.0	Power (W)	119.1
TEST VOLTAGE (V)	219.5	η down (%)	100.0	Power Factor (PF)	0.979

LUMINOUS INTENSITY DISTRIBUTION

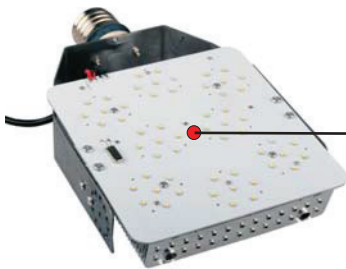


LUMINOUS INTENSITY DISTRIBUTION



ENVIRONMENT:

BobyTemperature



T_a = 25 °C
 T_c Max: 30 °C

Working Temp.	-30 °C ~ 45 °C
Working Humidity	<80%RH, (non-condensing)
Storage Temp., Humidity	-40 °C ~ 55 °C, <90%RH