



## Qlamp LED Retrofit Kit 80W E40/E27

Q-SDD-003

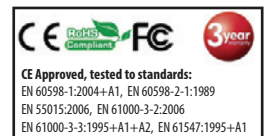
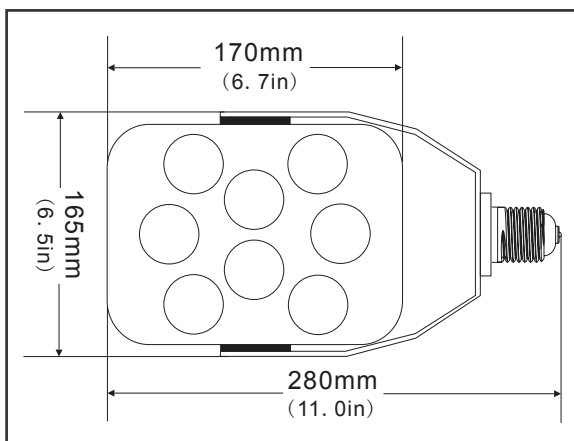
### DESCRIPTION:

- Beam angle: 120 degrees.
- Aluminum fins heat sinks and active air exchanging cooling system in order to speed up heat dissipation.
- It's major to replace the HPS with screwed lamp base directly.
- No RF interference, No IR/UV radiation, no mercury pollution.
- Wide colour availability in degrees Kelvin(K) 2700-6700K.
- Green, energy saving, long and reliable life of 50,000 hours
- Environment friendly, energy saving (70~80%).
- Streamline exterior design, beautiful appearance.
- Special circuit design, each LED work separately, avoiding the single broken LED influence problem.

### TECHNICAL SPECIFICATION

Model No.	Q-SDD-003
Rated Power	80W
Input Voltage	100-277VAC / 50-60Hz
Certificate	CE ROHS
PF	>0.95
Power Efficiency	>88%
Beam Angle	120°
Light Source/Count	42pcs Cree High Power LED
Lamp Base	E40 / E27
LED Luminous Efficiency	>100lm/w
Color Temperature Standard	WW (2700~3500K)
	NW (4000~5000K)
	CW (5500~6700K)
Luminous Flux	8000 lm ±10%
Color Rendering Index(CRI)	Ra>80
LED Emitter Life	50,000hours
Replacement	HPS 250W
Operating Temperature	-40°C~45°C
The Dimensions	280*165*65mm
N.W	0.8kg
Packing	1pc/Box , 12pcs Carton
Applications	Indoor lighting: houses, offices, hotels, custom applications, etc...

### DIMENSIONS:



**POWERSAVE SOLUTIONS LTD**

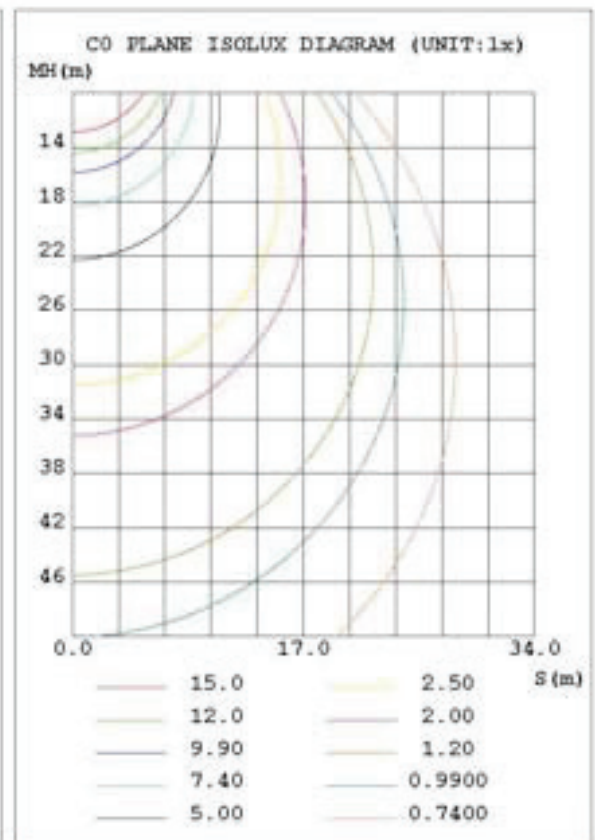
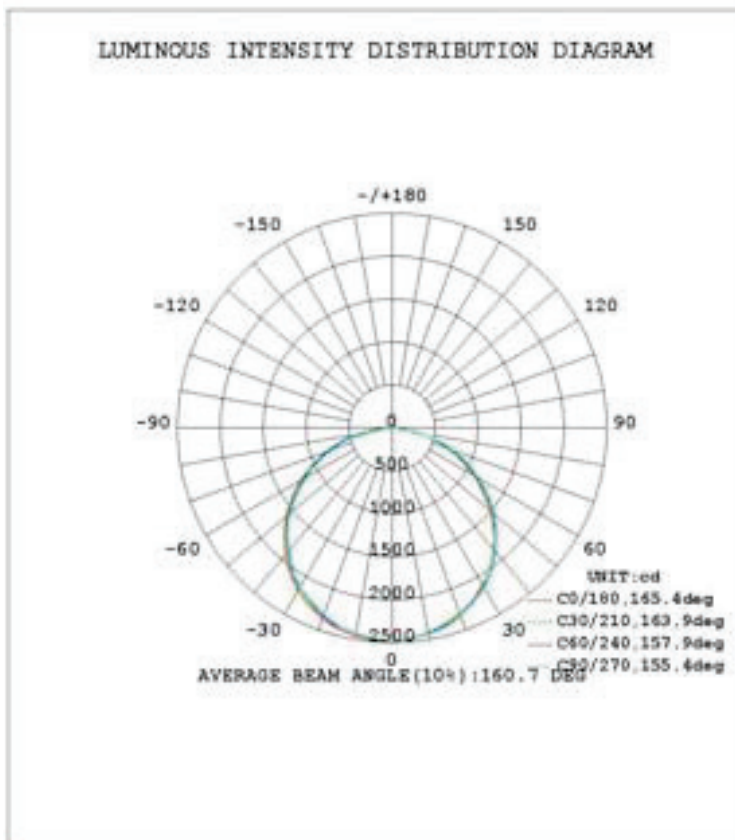
HEAD OFFICE: Unit 7, The Sandon Estate, Sandon Way, Liverpool L5, 9YN

LONDON OFFICE: 17 Highgate Hill, Hill House - 9th Floor, N19 5NA

e-mail: [info@powersavesolutions.co.uk](mailto:info@powersavesolutions.co.uk) facebook.com/powersavesolutions www.powersavesolutions.co.uk

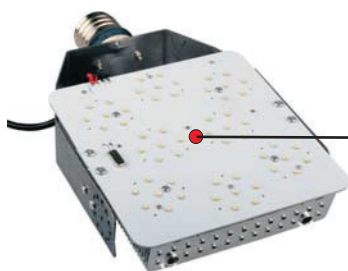
## LUMINAIRE PHOTOMETRIC TEST REPORT

DATA OF LAMP		PHOTOMETRIC DATA			
MODEL		Imax (cd)	2684	S/MH (C0/180)	1.26
NOMINAL POWER (W)	80	LOR (%)	100.0	S/MH (C90/270)	1.29
RATED VOLTAGE (V)	230	TOTAL FLUX (lm)	8290.0	$\eta$ UP, DN (C0-180)	0.0, 50.3
NOMINAL FLUX (lm)	8290	CIE CLASS	DIRECT	$\eta$ UP, DN (C180-360)	0.0, 49.7
LAMPS INSIDE	1	$\eta$ up (%)	0.0	CIBSE SHR NOM	1.25
TEST VOLTAGE (V)	229.1	$\eta$ down (%)	100.0	CIBSE SHR MAX	1.35



### ENVIRONMENT:

BobyTemperature



Ta=25°C  
 Tc. Max: 30°C

Working Temp.	-30°C~45°C
Working Humidity	<80%RH, (non-condensing)
Storage Temp., Humidity	-40°C~55°C, <90%RH