

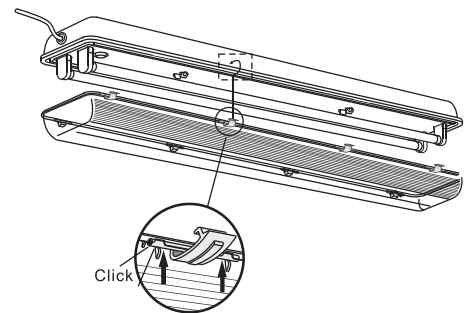
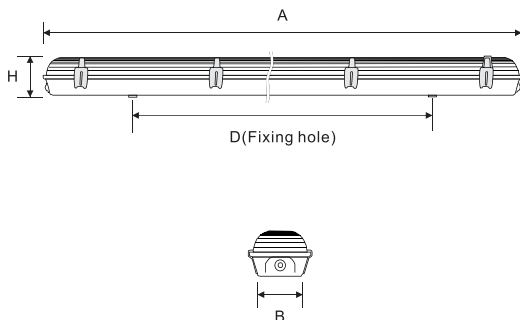
**SPECIFICATIONS:**

**Materials:**

- Housing: made of heat resistant PC or ABS material.
- Mounting plate: Steel powder coat finish white.
- Diffuser: made of clear PC or PMMA linear prisms.
- Stainless steel or PC clip.

**Options:**

- A.A.G Stucchi, BJB or VDE approved lamp holder.
- A.A.G Stucchi, Tridonic or VDE approved terminal block.
- 0.75mm<sup>2</sup> heat resistant 105°C UL or VDE approved wire.
- Ballast: Osram, Philips, Tridonic.
- Dimmable electronic control gear DSI/DALI.
- Lamps Philips/Osram.
- Emergency kit.



Product Code	Model	Body material	Lamp	Fixing Type	Dimension(mm)		MEAS(mm) 1PCS
					AXBXH	D	
P608000017	Q-T118PC-1	PC or ABS	1X18W	Surface	675X112X100	500	685X122X110
P608000018	Q-T218PC-1	PC or ABS	2X18W	Surface	675X166X100	500	685X178X110
P608000021	Q-T136PC-1	PC or ABS	1X36W	Surface	1278X112X100	965	1288X122X110
P608000022	Q-T236PC-1	PC or ABS	2X36W	Surface	1278X166X100	965	1288X176X110
P608000024	Q-T158PC-1	PC or ABS	1X58W	Surface	1578X112X100	1030	1588X122X110
P608000025	Q-T258PC-1	PC or ABS	2X58W	Surface	1578X166X100	1030	1588X176X110