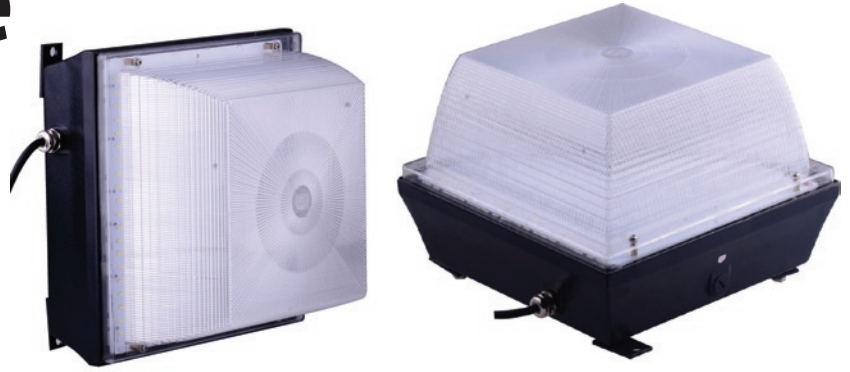


**Qlamp 40W LED Low-Bay
Luminaires 240°**

Q-HYD-011-FX



DESCRIPTION:

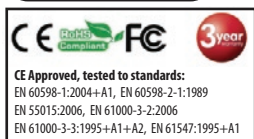
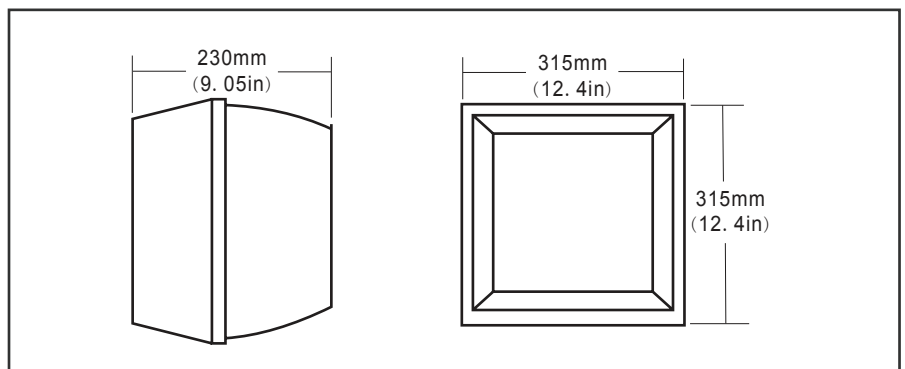
- Beam angle: 240 degrees.
- Aluminum fins heat sinks and active air exchanging cooling system in order to speed up heat dissipation.
- Take full advantage of the luminous efficiency.
- No RF interference, No IR/UV radiation, no mercury pollution.
- Wide colour availability in degrees Kelvin(K) 2700-6700K.
- Green, energy saving, long and reliable life of 50,000 hours
- Environment friendly, energy saving (70~80%).
- Special circuit design, each LED work separately, avoiding the single broken LED influence problem.



TECHNICAL SPECIFICATION

Model No.	Q-HYD-011-FX
Rated Power	40W
Input Voltage	100-277VAC / 50-60Hz
Certificate	CE ROHS
PF	>0.95
Power Efficiency	>88%
Beam Angle	240°
Light Source/Count	406pcs 2835 SMD LED / Epistar Chip 10*30mil
Lamp Base	2 PIN WIRES
LED Luminous Efficiency	>90lm/w
Color Temperature Standard	WW (2700~3500K)
	NW (4000~5000K)
	CW (5500~6700K)
Luminous Flux	4000 lm ±10%
Color Rendering Index(CRI)	Ra>80
LED Emitter Life	50,000hours
Operating Temperature	-40°C~45°C
The Dimensions	315*315*230mm
N.W	4kg
Packing	1pc/Box , 4pcs Carton
Packing Size (L*W*H)	430 * 410 * 300 mm / 890*430*640mm
Applications	Indoor lighting: houses, offices, hotels, custom applications, etc...

DIMENSIONS:



POWERSAVE SOLUTIONS LTD

HEAD OFFICE: Unit 7, The Sandon Estate, Sandon Way, Liverpool L5, 9YN

LONDON OFFICE: 17 Highgate Hill, Hill House - 9th Floor, N19 5NA

e-mail: info@powersavesolutions.co.uk facebook.com/powersavesolutions www.powersavesolutions.co.uk