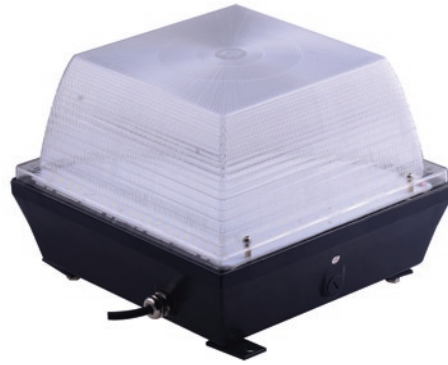


Qlamp LED Low Bay Luminaires 40W 150°

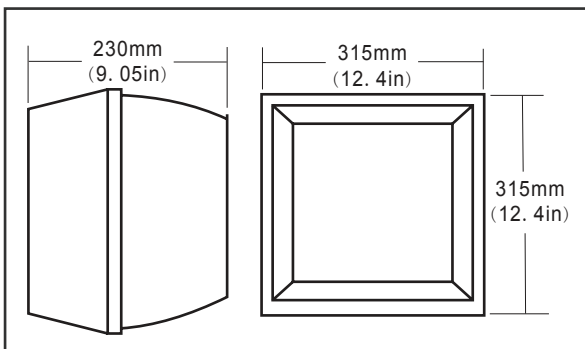
Q-CSD-001



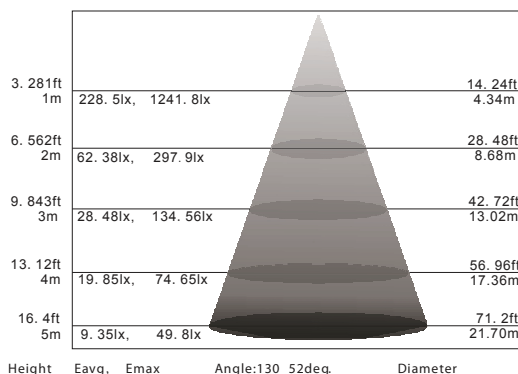
DESCRIPTION:

- This type of fixture is used to illuminate a variety of areas such as: warehouses, gas stations parking garages, stores all types of industrial applications.
- No RF interference, No IR/UV radiation, no mercury pollution.

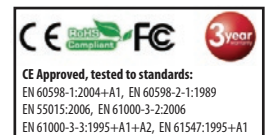
DIMENSIONS:



AAI FIGURE:



TECHNICAL SPECIFICATION	
Model No.	Q-CSD-001
Beam Angle	150°
Light Source/Count	140pcs 5630 SMD LED
Lamp Base	2PIN Wires
LED Luminous Efficiency	>100lm/w
Luminous Flux	4000 lm ±5%
Color Temperature Standard	WW (2700~3500K)
	NW (4000~5000K)
	CW (5500~6700K)
Color Rendering Index (CRI)	Ra>70
LED Emitter Life	50,000hours
Replacement	HPS 120W
IP Rating	IP65
Driver Model	MEAN WELL: CEN-60-36
Input Voltage	100-240VAC / 50-60Hz
PF	>0.95
Power Efficiency	>87%
Rated Power	43W
Operating Temperature	-40°C~45°C
The Dimensions	315*315*230mm
N.W/G.W	4.5kg /5kg
Packing	1pc/ Box, 2pcs/Carton
Applications	Gas stations, factories parking garages custom applications, etc...



POWERSAVE SOLUTIONS LTD

HEAD OFFICE: Unit 7, The Sandon Estate, Sandon Way, Liverpool L5, 9YN

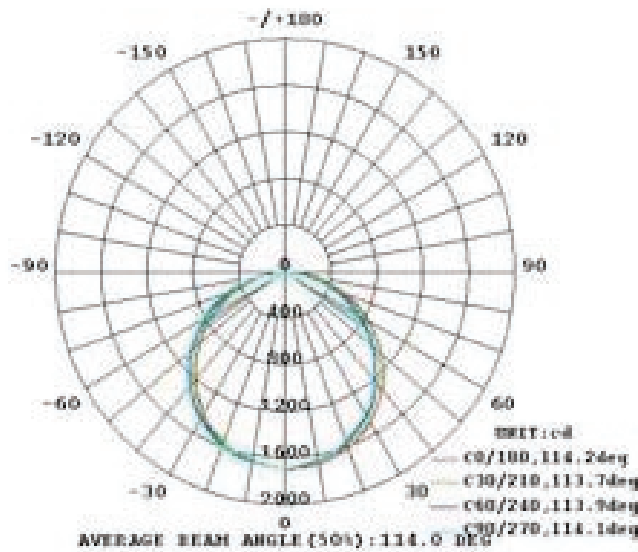
LONDON OFFICE: 17 Highgate Hill, Hill House - 9th Floor, N19 5NA

e-mail: info@powersavesolutions.co.uk facebook.com/powersavesolutions www.powersavesolutions.co.uk

LUMINAIRE PHOTOMETRIC TEST REPORT

DATA OF LAMP		PHOTOMETRIC DATA			
MODEL		Imax (cd)	1692	S/MH (C0/180)	1.31
NOMINAL POWER (W)	44	LOR (%)	100.0	S/MH (C90/270)	1.24
RATED VOLTAGE (V)	226	TOTAL FLUX (lm)	4465.7	η UP, DN (C0-180)	0.0, 48.1
NOMINAL FLUX (lm)	4465.7	CIE CLASS	DIRECT	η UP, DN (C180-360)	0.0, 51.9
LAMPS INSIDE	1	η up (%)	0.0	CIBSE SHR NOM	1.25
TEST VOLTAGE (V)	225.3	η down (%)	100.0	CIBSE SHR MAX	1.35

LUMINOUS INTENSITT DISTRIBUTION DIAGRAM



C0 PLANE ISOLUX DIAGRAM (UNIT:lx)

