

**Qlamp IP65 Fire Rated
LED Downlight 8W Dimmable**

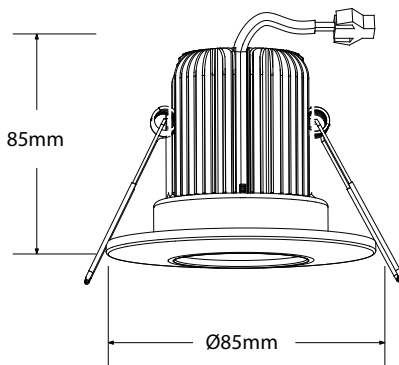
EP-AF8LEDD



DESCRIPTION:

- Suitable for mounting on normally flammable surface
- Not suitable for use in ambient air temperature above 40°C. Doing this may damage the fitting and will void the warranty.
- Complies with EN60598-1

DIMENSIONS:



TECHNICAL SPECIFICATION

Model No.	EP-AF8LEDD
Input Voltage	AC220~240V 50/60Hz
Power Consumption	8W
Colour Temperature	3000K(Warm White) & 4000K(Cool White)
CRI	80
Light Output	500lm
Color temperature	3000k/4000k
Dimmable	Dimmable with leading or trailing edge dimmers
Beam Angle	40°
Power Factor	0.85
Work Temperature	-20°C~50°C
Fire Rated	30, 60, 90 min.
IP Rating	IP65
Safety Classification	Class II
Size	H:85mm D:Ø85mm
Cut out hole	Ø65mm
Bazel	Changeable bezel can do White /Chrome Satin Nickel etc.
Weight	0.3Kg
Installation	Recessed mounting

CE FC RoHS

CE Approved, tested to standards:
EN 60598-1:2004+A1, EN 60598-2-1:1989
EN 55015:2006, EN 61000-3-2:2006
EN 61000-3-3:1995+A1+A2, EN 61547:1995+A1



POWERSAVE SOLUTIONS LTD

HEAD OFFICE: Unit 7, The Sandon Estate, Sandon Way, Liverpool L5, 9YN

LONDON OFFICE: 129 Colney Hatch Lane, N10 1HD

e-mail: info@powersavesolutions.co.uk [facebook.com/powersavesolutions](https://www.facebook.com/powersavesolutions) www.powersavesolutions.co.uk