

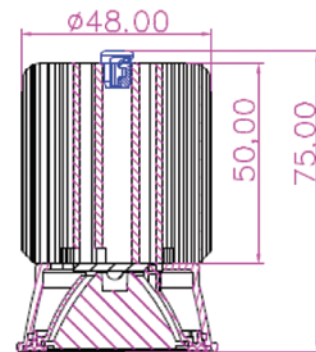
MD-A001 LED MODULE

FEATURES:

- MR16 LED Module.
(typ.600lm in warm white light).
- Eco-friendly LED technology along with energy saving and low maintenance cost.
- UV & IR free.
- >40,000hrs life span.
- 3 different angles of Lens for various application.

APPLICATION:

- The same front size as MR16 lamp for replacement.



TECHNICAL SPECIFICATION	
Osram Ostar 10W, 700mA LED	
LED Color	CW / NW / WW
Beam Angle	12°, 24°, 38°
Lens Finish	Anodized
Life span	>40,000hrs

