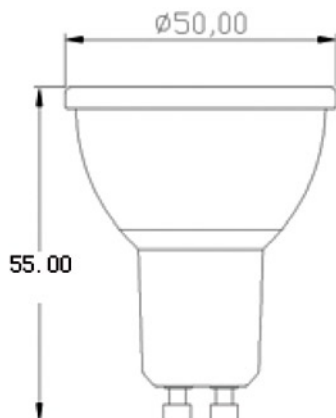


Qlamp LED SPOT PAR16

LED reflector lamps PAR16 with retrofit pin base

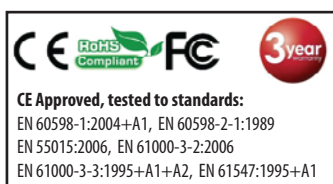
Q-ECO4WGU10



DESCRIPTION:

- Very low energy consumption
 - Robust against vibrations
 - Extremely long life
 - No UV and near-IR radiation in the light beam
 - Instant 100 % light, no warm-up time
 - Can be easily fitted instead of ordinary light bulbs
 - Lower thermal output (compared with the standard reference product)
 - Correct operation even at low temperatures
-
- Professional LED lamps for line
 - Voltage Not suitable for use with Dimmers
 - Mercury-free lamps
 - Lifetime: up to 30,000 h
-
- Display cabinets and show windows
 - Retail outlets and exhibition rooms
 - Spotighting heat-sensitive objects such as flood, plants, etc

TECHNICAL SPECIFICATION	
Model No.	Q-ECO4WGU10
Rated wattage	4.5 W
Nominal wattage	4.5 W
Nominal voltage	220...240 V/100...120V
Power factor λ	0.6
Operating frequency	50...60 Hz
Claimed equiv. conventional lamp power	30 W
Nominal luminous flux	290 lm 320lm 320lm
Rated luminous flux	290 lm 320lm 320lm
Color temperature	2700K 4000K 6000K
CRI Ra	70
Starting time	1.0 s
Warm-up time (60 %)	0 s
Lumen main.fact.at end of nom.life time	0.70
Light color as per EN 12464-1	Warm White
	Nurture White
	Pure White
Overall length	55.0 mm
Diameter	50.0 mm
Outer bulb	PAR16
Lamp mercury content	0.0 mg
Mercury-free	Yes
Nominal lamp life time	30000 h
Rated lamp life time	30000 h
Number of switching cycles	200000
Base (standard designation)	GU10
New article	NEW
Design / version	Frosted
Appropriate disposal acc. to WEEE	Yes
Dimmable	Yes/No
EEL – Energy Label	A



POWERSAVE SOLUTIONS LTD

HEAD OFFICE: Unit 7, The Sandon Estate, Sandon Way, Liverpool L5, 9YN

LONDON OFFICE: 152-154 Coles Green Road, NW2 7HD

e-mail: info@powersavesolutions.co.uk facebook.com/powersavesolutions www.powersavesolutions.co.uk